

STAINLESS

CALIBERS
9mm & .40 Auto

RUGER®
P89™ DAO, P93™ DAO, P94™ DAO & P944™ DAO
 Double-Action Only
 Autoloading Pistols



All parts orders for the P89DAO, P93DAO, P94DAO and P944DAO Model pistols should be sent to: Sturm, Ruger & Co., Inc., Parts Department, 200 Ruger Road, Prescott, AZ 86301, 520-778-6555. Payment in the form of a check or money order must accompany your order. We cannot comply with open account, credit cards or C.O.D. requests. Minimum parts order is \$1.00 plus \$3.50 shipping and handling charge. Order parts by part name and part number and include the entire serial number of the firearm for which the parts are being ordered. The price shown for parts does not include the minimum net labor charge of \$15.00 plus \$5.00 shipping and handling if parts are factory fitted. All factory fitted parts are fitted on an exchange basis only. We will not return the replaced parts. Work performed will bear a net minimum labor charge of \$15.00 plus a \$5.00 shipping and handling charge. The charge for metal refinishing (except for the aluminum frame, which we cannot refinish) is \$35.00 plus a \$5.00 shipping and handling charge.

Because it is a serial-numbered component, the frame is defined as a "firearm" by Federal Law and is not sold as a separate component.

If no price appears in the "Stainless" column, the part is available in blued steel only and is used on all models. Likewise, if no price appears in the "Blued" column, the part is available in stainless steel only and is used on all models. A few components (for example, grip panels) are the same for blued and stainless models.

Design, specifications and prices are subject to change without notice. The Sturm, Ruger & Company "LOGO" and "RUGER" are registered U.S. trademarks. P89, P93, P94 and P944 are Ruger trademarks.

STURM, RUGER & Company, Inc.
Southport, Connecticut 06490 U.S.A.

P89™ DAO, P93™ DAO, P94™ DAO & P944™ DAO

COMPONENT PARTS AND SUGGESTED RETAIL PRICES

ORDER THESE PARTS FROM PRESCOTT PLANT

SPECIFY MODEL AND CALIBER WHEN ORDERING PARTS

Part Name	Part No.	Model	Calibers			
			9mm	.40 Auto	Blued	Stainless
* Barrel Assembly	KV00613-150	P89DAO	•		–	\$74.00
* Barrel Assembly, Not Illustrated	KV00618-100	P93DAO	•		–	74.00
* Barrel Assembly, Not Illustrated	KV00619-100	P94DAO	•		–	74.00
* Barrel Assembly, Not Illustrated	KV00620-100	P944DAO	•	•	–	74.00
Barrel Link, Not Illustrated	KV00750	P89DAO	•		–	.75
Barrel Link, Not Illustrated	KV00702	P93DAO, P94DAO, P944DAO	•	•	–	.75
Barrel Link Pin, Not Illustrated	KV00350	P89DAO, P93DAO, P94DAO, P944DAO	•	•	–	.50
* Blocker Lever	KV02113	P89DAO, P93DAO, P94DAO, P944DAO	•	•	–	6.75
A Case Combo, 9mm	PGCC-9mm	P89DAO, P93DAO, P94DAO	•		\$42.30	42.30
A Case Combo, .40S&W	PGCC-40S&W	P944DAO	•	•	42.30	42.30
A Case Only, Centerfire, Specify Serial Number	PGC-CF	P89DAO, P93DAO, P94DAO, P944DAO	•	•	15.00	15.00
Ejector	V00903	P89DAO, P93DAO, P94DAO, P944DAO	•	•	5.00	–
Ejector Pin	KV01250	P89DAO, P93DAO, P94DAO, P944DAO	•	•	–	.50
Ejector Spring	KV00951	P89DAO, P93DAO, P94DAO, P944DAO	•	•	–	3.00
* Extractor	KV01400	P89DAO, P93DAO	•		–	10.00
* Extractor	KV01404	P94DAO	•		–	10.75
* Extractor	KV01405	P944DAO	•	•	–	10.75
Firing Pin	KV01126	P89DAO, P93DAO	•		–	12.75
Firing Pin	KV01127	P94DAO, P944DAO	•	•	–	12.75
* Firing Pin Block	KV02103	P89DAO	•		–	5.00
* Firing Pin Block	KV02102	P93DAO, P94DAO, P944DAO	•	•	–	5.00
Firing Pin Block Spring	KQ05600	P89DAO, P93DAO, P94DAO, P944DAO	•	•	–	.50
Firing Pin Plunger	KH05100	P89DAO, P93DAO, P94DAO, P944DAO	•	•	–	1.50
Firing Pin Spring	KV01850	P89DAO, P93DAO, P94DAO, P944DAO	•	•	–	.50
Firing Pin Stop	KV01554	P89DAO, P93DAO, P94DAO, P944DAO	•	•	–	10.25
Frame	V00295	P89DAO	•		Not Offered For Sale	
Frame	V00204	P93DAO	•		Not Offered For Sale	
Frame	V00202	P94DAO, P944DAO	•	•	Not Offered For Sale	
Front Sight, Must Be Drilled For Cross Pin	V03203	P89DAO, P93DAO, P94DAO, P944DAO	•	•	2.50	–
Front Sight Cross Pin, 2 Req'd.	V04700	P89DAO, P93DAO, P94DAO, P944DAO	•	•	ea. .50	–
Grip Panel Screw, 2 Req'd.	V01300	P89DAO, P93DAO, P94DAO, P944DAO	•	•	ea. .50	–
Grip Panels, Sold In Pairs Only	V00800	P89DAO	•		6.00	–
Grip Panels, Sold In Pairs Only	V00803	P93DAO, P94DAO, P944DAO	•	•	6.00	–
Guide Rod	V22000	P89DAO	•		3.00	–
Guide Rod	V02023	P93DAO	•		3.00	–
Guide Rod	V02024	P944DAO	•	•	3.00	–
Guide Rod	V02040	P94DAO	•		3.00	–
Guide Rod/Recoil Spring Assembly	V22000-100	P89DAO	•		3.50	–
Guide Rod/Recoil Spring Assembly	V02023-100	P93DAO	•		6.00	–
Guide Rod/Recoil Spring Assembly	V02024-100	P944DAO	•	•	6.00	–
Guide Rod/Recoil Spring Assembly	V02040-100	P94DAO	•		6.00	–
* Hammer	KV04020	P89DAO, P93DAO, P94DAO, P944DAO	•	•	–	17.75
Hammer, Assembly	KV04020-100	P89DAO, P93DAO, P94DAO, P944DAO	•	•	–	18.25
Hammer Pivot, Assembly	KV22300	P89DAO, P93DAO, P94DAO, P944DAO	•	•	–	1.75
Hammer Spring	V00400	P89DAO, P93DAO, P94DAO, P944DAO	•	•	.50	–
Hammer Spring Seat, With Lanyard Loop	V02402	P89DAO, P93DAO, P94DAO, P944DAO	•	•	3.25	–
Hammer Spring Seat, Without Lanyard Loop	V02400	P89DAO, P93DAO, P94DAO, P944DAO	•	•	3.25	–
Hammer Spring Seat Pin	KV02550	P89DAO, P93DAO, P94DAO, P944DAO	•	•	–	.50
Hammer Strut	V01610	P89DAO, P93DAO, P94DAO, P944DAO	•	•	1.25	–
Hammer Strut Pin	KV05150	P89DAO, P93DAO, P94DAO, P944DAO	•	•	–	.50
Lock & Keys	PGLK	P89DAO, P93DAO, P94DAO, P944DAO	•	•	2.50	2.50

*Parts designated by an asterisk must be factory fitted. These parts are fitted on an exchange basis only. We will not return the replaced parts. We will not return any part that is broken, malfunctioning, badly worn or has been modified. See "Warning — Parts Purchasers" back cover.

A Ruger Accessories should be ordered through a Ruger Distributor. Refer to booklet B1 for a list of Distributors.
Refer to booklet B2 for a list of Parts Source. For a complete list of Ruger Accessories refer to booklet A1.

P89™ DAO, P93™ DAO, P94™ DAO & P944™ DAO

COMPONENT PARTS AND SUGGESTED RETAIL PRICES

ORDER THESE PARTS FROM PRESCOTT PLANT

SPECIFY MODEL AND CALIBER WHEN ORDERING PARTS

Part Name	Part No.	Model	9mm	Calibers		Blued	Stainless
				.40	Auto		
A Magazine, Complete, 10-Shot Capacity	P-15/10	P89DAO	•			\$21.00	—
A†† Magazine, Complete, 10-Shot Capacity	P-18/10	P89DAO††, P93DAO, P94DAO	•			21.00	—
A†† Magazine, Complete, 10-Shot Capacity	P-17/10	P89DAO††, P944DAO	•	•		21.00	—
Magazine Floor Plate, 10-Shot, Pinned	V01007	P89DAO, P93DAO, P94DAO	•			1.25	—
Magazine Floor Plate, 10-Shot, Snap On	V01009	P89DAO, P93DAO, P94DAO	•	•		1.25	—
Magazine Floor Plate, 15-Shot, Metal	V01000	P89DAO, P93DAO, P94DAO	•			1.25	—
Magazine Floor Plate, 15-Shot, Plastic, Snap On	V01003	P89DAO, P93DAO, P94DAO, P944DAO	•	•		1.25	—
Magazine Follower	V02907	P89DAO, P93DAO, P94DAO	•			1.50	—
Magazine Follower	V02900	P944DAO		•		1.50	—
Magazine Latch, Left	KV02601	P89DAO	•			—	\$ 7.50
Magazine Latch, Left	KV02604	P93DAO, P94DAO, P944DAO	•	•		—	7.50
Magazine Latch, Right	KV02600	P89DAO	•			—	7.50
Magazine Latch, Right	KV02603	P93DAO, P94DAO, P944DAO	•	•		—	7.50
Magazine Latch Spring	V02700	P89DAO	•			.75	—
Magazine Latch Spring	V02720	P93DAO, P94DAO, P944DAO	•	•		.75	—
A Magazine Loader	PML	P89DAO, P93DAO, P94DAO, P944DAO	•	•		5.00	—
** Magazine Shell, 10-Shot, Pinned	V00504	P89DAO**	•			16.75	—
** Magazine Shell, 10-Shot, Snap On	V00506	P89DAO††, P93DAO, P94DAO	•			16.75	—
†† Magazine Shell, 10-Shot, Pinned	V00502	P89DAO††, P93DAO, P94DAO	•			16.75	—
†† Magazine Shell, 10-Shot, Snap On	V00505	P89DAO††, P93DAO, P94DAO	•			16.75	—
Magazine Shell, 10-Shot, Snap On	V00512	P944DAO		•		16.75	—
Magazine Spring, 10-Shot	V03004	P944DAO		•		1.75	—
Magazine Spring, 10-Shot	V03003	P89DAO, P93DAO, P94DAO	•			1.75	—
Magazine Spring, 10-Shot & 11-Shot	V03000	P89DAO, P93DAO, P94DAO, P944DAO	•	•		1.75	—
Magazine Spring Seat	V03102	P89DAO, P93DAO, P94DAO, P944DAO	•	•		.75	—
Rear Sight	V03301	P89DAO	•			6.00	—
Rear Sight	V03307	P94DAO, P944DAO	•	•		6.00	—
Rear Sight	Q03300	P93DAO	•			6.00	—
Rear Sight Lock Screw	V08001	P89DAO, P93DAO, P94DAO, P944DAO	•	•		1.00	—
Recoil Spring	V02800	P89DAO	•			.50	—
Recoil Spring	V02815	P93DAO	•			.50	—
Recoil Spring	V02805	P94DAO	•			.50	—
Recoil Spring Collar	V06104	P944DAO		•		.50	—
Recoil Spring Collar Retainer	V06204	P944DAO		•		.50	—
Recoil Spring, Inner	V02814	P944DAO		•		.50	—
Recoil Spring, Outer	V02813	P944DAO		•		.50	—
* Sear	KV02118	P89DAO, P93DAO, P94DAO, P944DAO	•	•		—	9.50
Sear Pivot Pins, 2 Req'd.	KV04450	P89DAO, P93DAO, P94DAO, P944DAO	•	•		—	ea. .50
Sear Spring	KV06421	P89DAO, P93DAO, P94DAO, P944DAO	•	•		—	1.00
* Slide	KV00120	P89DAO	•			—	110.00
* Slide	KV00108	P93DAO	•			—	110.00
* Slide	KV00114	P94DAO	•			—	110.00
* Slide	KV00116	P944DAO		•		—	110.00
Slide Stop	KV03700	P89DAO	•			—	14.50
Slide Stop	KV03701	P93DAO, P94DAO, P944DAO	•	•		—	14.50
Slide Stop Spring	V04500	P89DAO	•			.50	—
Slide Stop Spring Retainer	KV03450	P89DAO	•			—	.50
Trigger	KV03901	P89DAO	•			—	8.50
Trigger	KV03903	P93DAO, P94DAO, P944DAO	•	•		—	10.00
* Trigger Bar	KQ01700	P89DAO	•			—	28.50
* Trigger Bar	KV01703	P93DAO, P94DAO, P944DAO	•	•		—	22.75
Trigger Bar Plunger	KV03500	P89DAO	•			—	.50
Trigger Bar Plunger Spring	KV03650	P89DAO	•			—	.50
Trigger Bar Spring	V05401	P93DAO, P94DAO, P944DAO	•	•		.50	—
Trigger Bar Spring Retainer	KV04250	P89DAO	•			—	.50

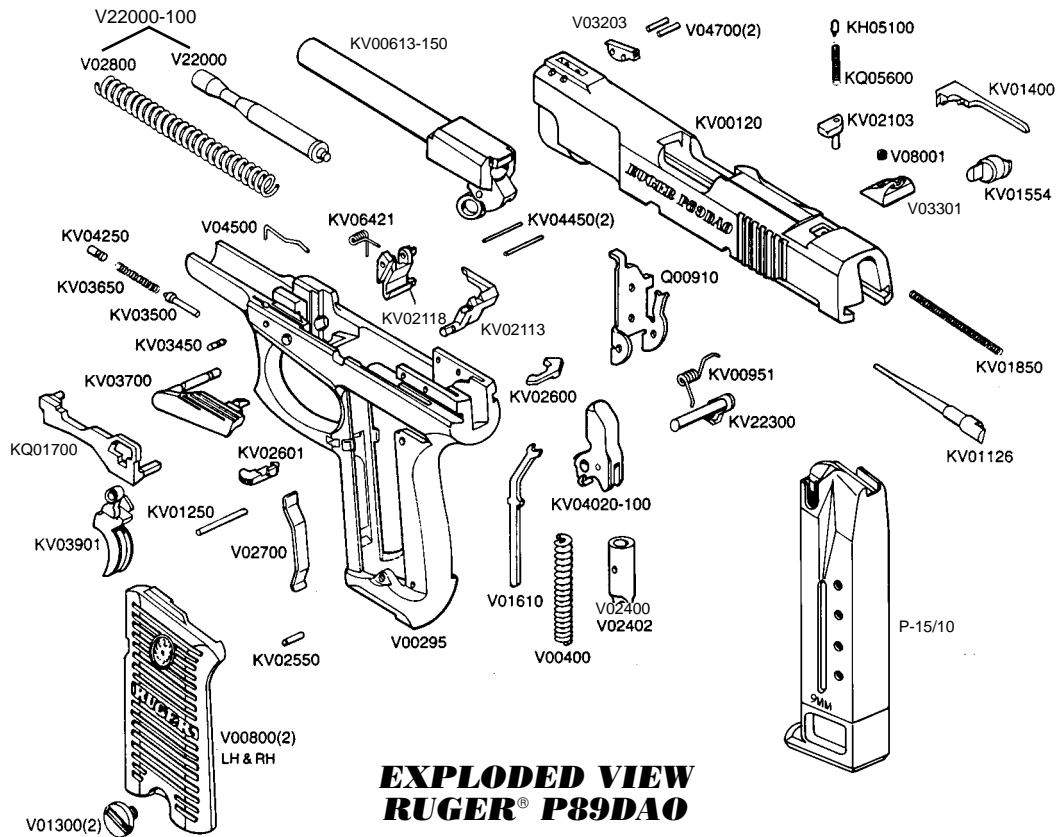
*Parts designated by an asterisk must be factory fitted. These parts are fitted on an exchange basis only. We will not return the replaced parts. We will not return any part that is broken, malfunctioning, badly worn or has been modified. See "Warning — Parts Purchasers" back cover.

**Will fit P89 Serial Numbers below 304-70000.

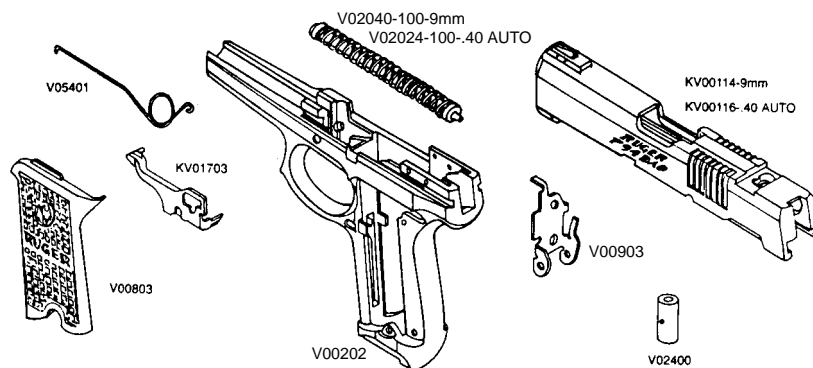
††Will fit P89 Serial Number 304-70000 and above.

A Ruger Accessories should be ordered through a Ruger Distributor. Refer to booklet B1 for a list of Distributors. Refer to booklet B2 for a list of Parts Source. For a complete list of Ruger Accessories refer to booklet A1.

P89™ DAO, P93™ DAO, P94™ DAO & P944™ DAO



**EXPLODED VIEW
RUGER® P89DAO**



**RUGER® P94DAO
9mm & .40 S&W AUTOLOADING PISTOL**



WARNING—PARTS PURCHASERS



It is the purchaser's responsibility to be absolutely certain that any parts ordered from the factory are correctly fitted and installed. Firearms are complicated mechanisms and IMPROPER FITTING OF PARTS MAY RESULT IN A DANGEROUS MALFUNCTIONING, DAMAGE TO THE FIREARM AND INJURY TO THE SHOOTER AND OTHER PERSONS. The purchaser and installer of parts must accept full responsibility for the correct adjustment and functioning of the firearm after such installation.

PARTS MUST FIT CORRECTLY